



Frigidaire

Factory Parts Catalog

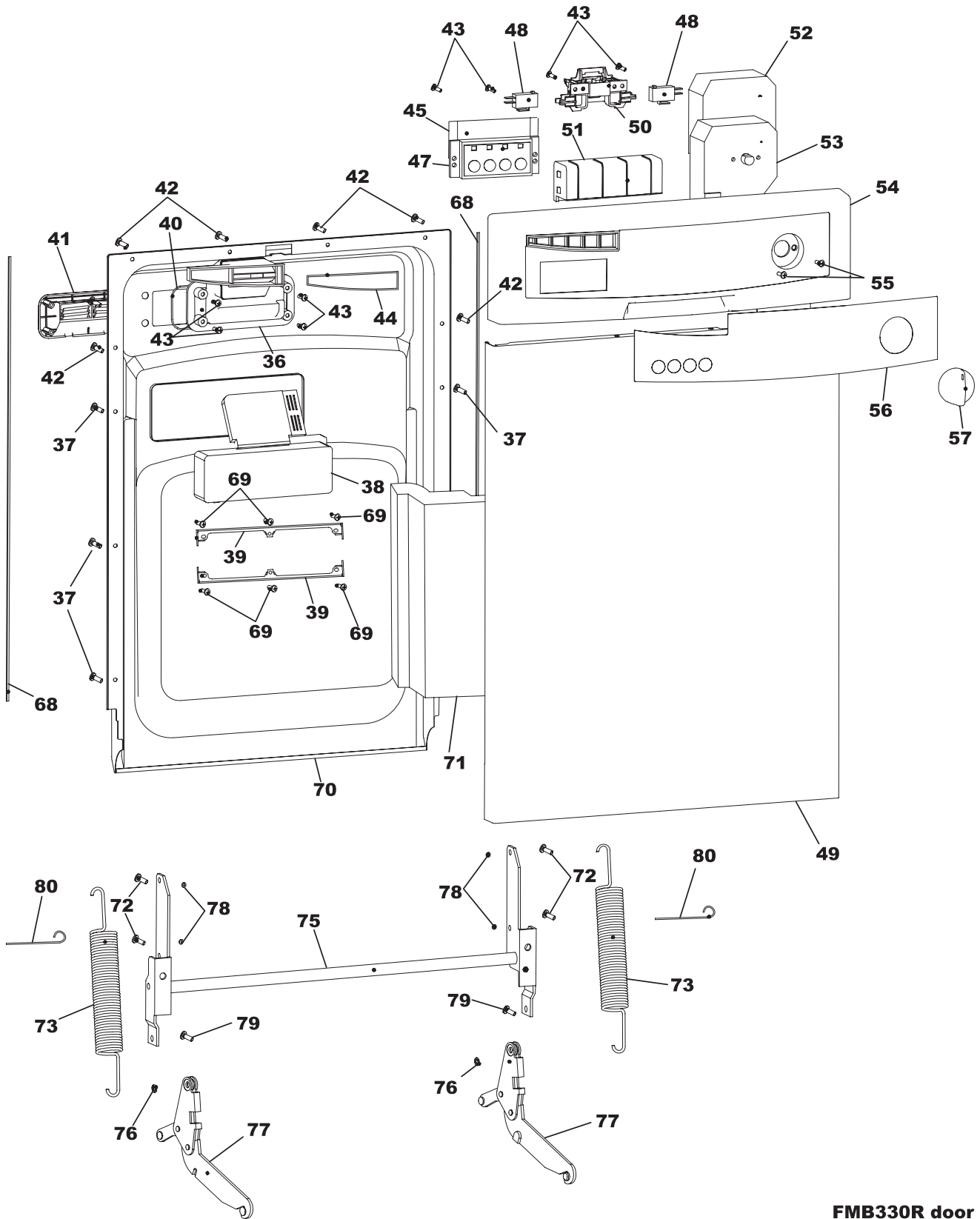
Product No.	FMB330RGB0	FMB330RGC0	FMB330RGS0
Series	18" Built-in	18" Built-in	18" Built-in
Color	black	stainless	white
Owner's Guide English	672060102191	672060102191	672060102191
Owner's Guide Spanish	672060102193	672060102193	672060102193
Owner's Guide French	672060102220	672060102220	672060102220
Service Data Sheet	672060709962	672060709962	672060709962
Energy Guide	672060901400	672060901400	672060901400
Installation Instructions	672060120311	672060120311	672060120311
Market	North America	North America	North America

**18-INCH BUILT-IN
DISHWASHER**

Model No.
FMB330RG

Publication No.
5995491049
07/05/17
(EN/SERVICE/ECL)
821

DOOR / CONTROL PANEL



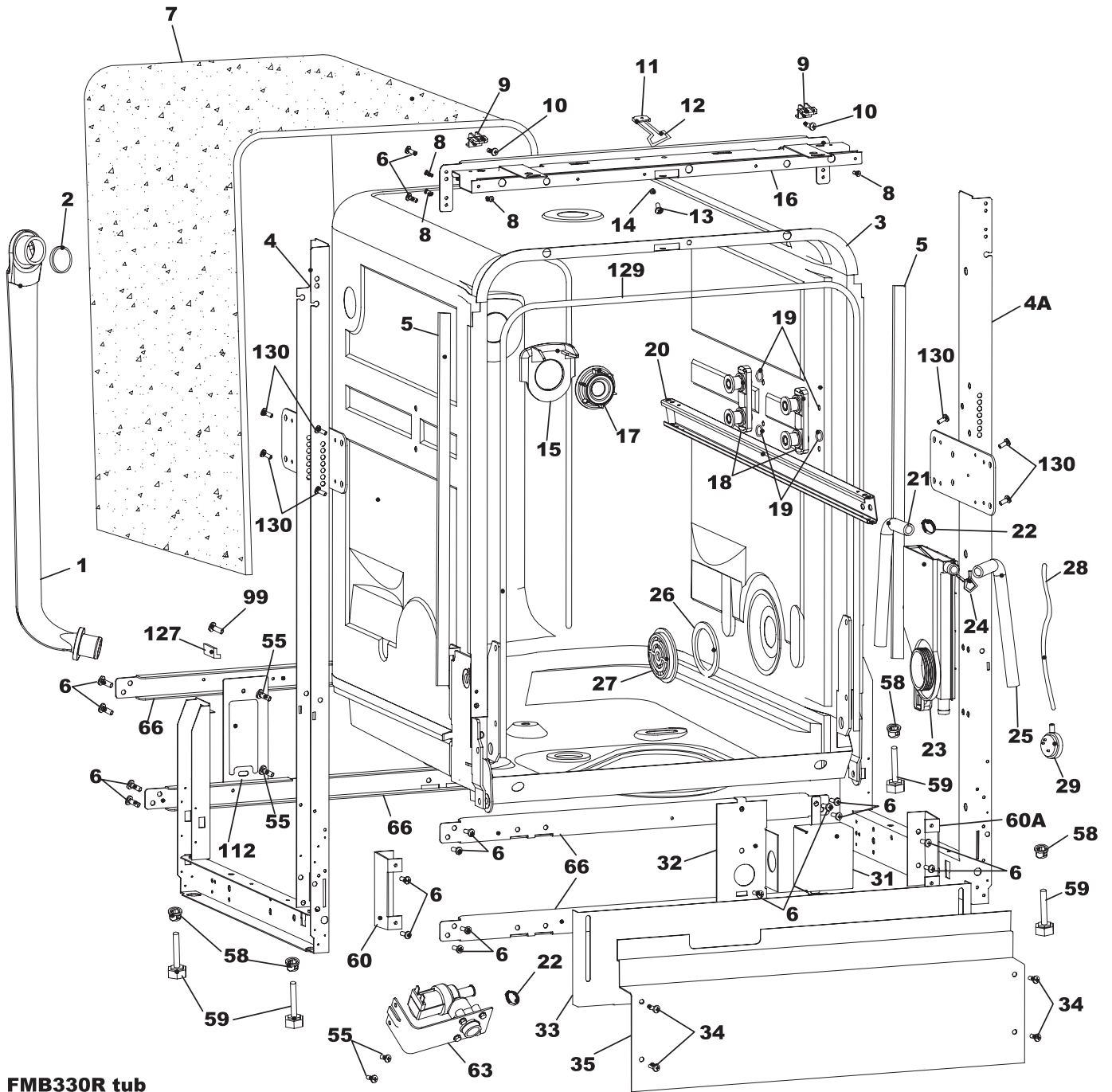
FMB330R door

DOOR / CONTROL PANEL

Model Index: A FMB330RG (FMB330RGS0)
 B FMB330RG (FMB330RGB0)
 C FMB330RG (FMB330RGC0)

POS. NO	PART NO.		DESCRIPTION
36	5304460909	A B C	Vent Assembly, door
37	5304460910	A B C	Screw, tapping, st3.5 x 13, (6)
38 #	5304460911	A B C	Dispenser Assembly
39	5304460912	A B C	Bracket, dispenser, (2)
40	5304460913	A B C	Gasket, door vent, inner door
41	5304460914	A B C	Cover, door vent
42	5304460915	A B C	Screw, tapping, st3.5 x 18, (6)
43	5304460916	A B C	Screw, pan hd, tapping, st4 x 12, (8)
44	5304460917	A B C	Gasket, door vent, outer door
45	5304460918	A B C	Guard, tap switch, film
47 #	5304460919	A B C	Switch, 4 button, tap
48 #	5304460920	A B C	Switch, door latch, (2)
49	5304461714	A - -	Door Panel, outer, white
49	5304461715	- B -	Door Panel, outer, black
49	5304461713	- - C	Door Panel, outer, stainless
50 #	5304460923	A B C	Latch, door
51	5304460925	A - -	Cover, handle, white
51	5304460924	- B C	Cover, handle, black
52	5304460926	A B C	Guard, timer, film
53 #	5304460927	A B C	Timer Assembly
54	5304461532	A - -	Panel, console, white
54	5304460929	- B C	Panel, console, black
55	5304460930	A B C	Screw, hex hd, tapping, st5 x 12, (6)
56	5304460931	A - -	Overlay, console, white
56	5304460928	- B C	Overlay, console, black
57	5304460935	A - -	Knob, timer, white
57	5304460934	- B C	Knob, timer, black
68	5304460937	A - -	Guard, door edge, white, (2)
68	5304460936	- B C	Guard, door edge, black, (2)
69	5304460938	A B C	Screw, tapping, m3.9 x 12, (6)
70	5304460939	A B C	Liner, door, inner
71	5304460940	A B C	Insullation, door, polystyrene
72	5304460941	A B C	Screw, M5 x 10, (4)
73	5304460942	A B C	Spring, door, (2)
75	5304460943	A B C	Hinge Assembly, door
76	5304460944	A B C	Clamp, hinge pin, (2)
77	5304460945	A B C	Hinge, arm, (2)
78	5304460946	A B C	Nut, lock, M5, (4)
79	5304460947	A B C	Pin, hinge, (2)
80	5304460948	A B C	Bolt, door spring, (2)
*	5304461808	A B C	Energy Guide

TUB



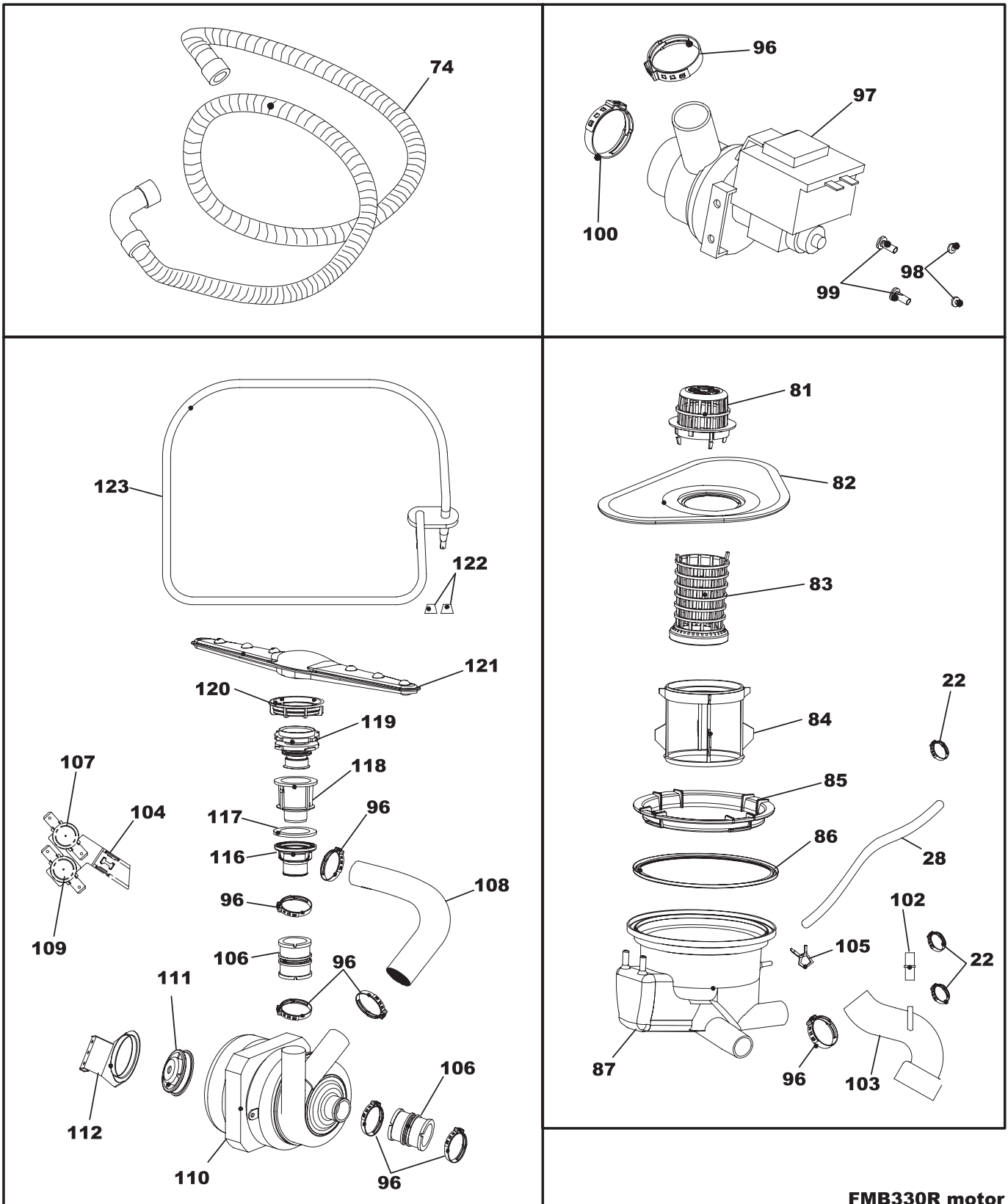
FMB330R tub

TUB

Model Index: A FMB330RG (FMB330RGS0)
 B FMB330RG (FMB330RGB0)
 C FMB330RG (FMB330RGC0)

POS. NO	PART NO.		DESCRIPTION
1	5304460949	A B C	Hose, delivery, external
2	5304460950	A B C	O-ring, delivery hose
3	5304460951	A B C	Tub Assembly
4	5304460952	A B C	Frame, tub, LH
4A	5304460953	A B C	Frame, tub, RH
5	5304461716	A - -	Guard, tub gasket, white, (2)
5	5304460954	- B C	Guard, tub gasket, black, (2)
6	5304460955	A B C	Screw, tapping, st3.5 x 9, (26)
7	5304460956	A B C	Insulation, tub wrapper, outer
8	5304460957	A B C	Rivet, (6)
9	5304460958	A B C	Block, tub, (2)
10	5304460959	A B C	Screw, tapping, st3.5 x 11, (2)
11	5304460960	A B C	Bracket, door hook mtg
12	5304460961	A B C	Hook, door lock
13	5304460962	A B C	Screw, hook mtg, m4 x 16
14	5304460963	A B C	Nut, hook mtg, M4, lock
15	5304460964	A B C	Housing, delivery hose, inner
16	5304461717	A B C	Crosspiece, front, upper
17	5304460965	A B C	Nut, delivery hose, inner
18	5304460966	A B C	Roller Assembly, tub, (4)
19	5304460967	A B C	O-ring, tub roller, (8)
20	5304460968	A B C	Rail, guide, upper rack, (2)
21	5304460969	A B C	Hose, drain pump
22	5304460970	A B C	Clamp, hose, OTK175, (5)
23	5304460971	A B C	Tunnel, water
24	5304460972	A B C	Clamp, hose, 14.9 x 1.8
25	5304460973	A B C	Hose, inlet, water tunnel
26	5304460974	A B C	Gasket, ring nut
27	5304460975	A B C	Nut, ring
28	5304460976	A B C	Tubing, pressure switch
29 #	5304460977	A B C	Switch, pressure
31	5304460978	A B C	Box, junction, RH
32	5304460979	A B C	Box, junction
33	5304461718	A - -	Toe Grille, adjustable, white
33	5304461719	- B C	Toe Grille, adjustable, black
34	5304461720	A B C	Screw, pan hd, tapping, st3.9 x 13, (4)
35	5304461722	A - -	Kickplate, white
35	5304461721	- B C	Kickplate, black
55	5304460930	A B C	Screw, hex hd, tapping, st5 x 12, (6)
58	5304460980	A B C	Nut, leveling leg, (4)
59	5304460981	A B C	Leg, leveling, (4)
60	5304461723	A B C	Bracket, kickplate mtg, LH
60A	5304461724	A B C	Bracket, kickplate mtg, RH
63 #	5304460982	A B C	Valve, water inlet
66	5304460983	A B C	Crosspiece, lower, (4)
99	5304460984	A B C	Screw, m6 x 12, (3)
112	5304460985	A B C	Bracket, motor support
127	5304460986	A B C	Block, tub gasket, (2)
129	5304460987	A B C	Gasket, tub
130	5304460988	A B C	Screw, hex hd, tapping, st5 x 20, (8)

MOTOR & PUMP

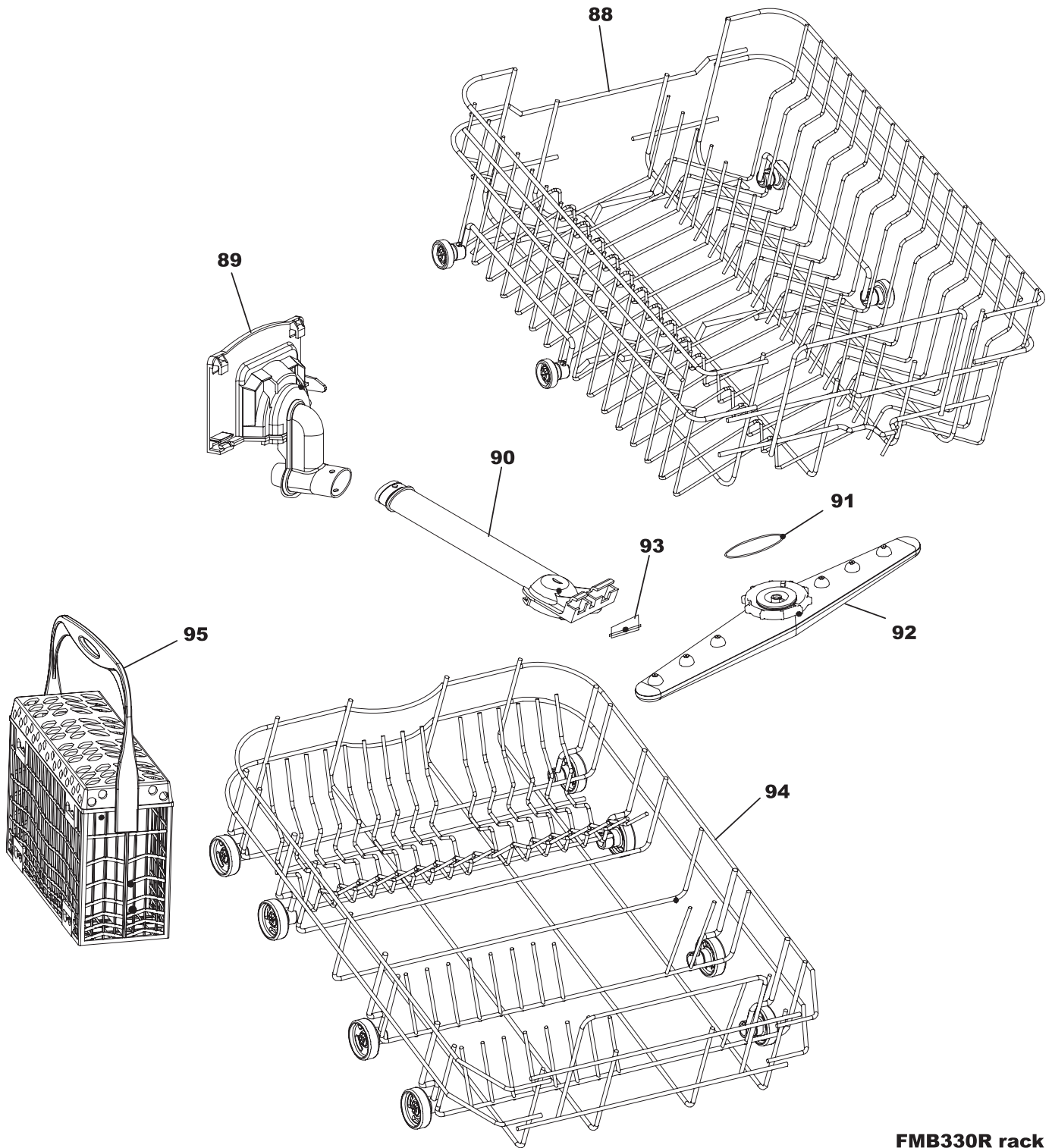


MOTOR & PUMP

Model Index: A FMB330RG (FMB330RGS0)
 B FMB330RG (FMB330RGB0)
 C FMB330RG (FMB330RGC0)

POS. NO	PART NO.		DESCRIPTION
22	5304460970	A B C	Clamp, hose, OTK175, (5)
28	5304460976	A B C	Tubing, pressure switch
74	5304460989	A B C	Hose, drain
81	5304460990	A B C	Filter, upper
82	5304460991	A B C	Filter, screen, stainless
83	5304460992	A B C	Filter, lower
84	5304460993	A B C	Filter, micro screen
85	5304460994	A B C	Nut, sump mtg
86	5304460995	A B C	Gasket, sump
87	5304460996	A B C	Sump
96	5304460997	A B C	Clamp, hose, OTK310, (8)
97 #	5304461725	A B C	Pump, drain
98	5304460998	A B C	Nut, M4, (2)
99	5304460984	A B C	Screw, m6 x 12, (3)
100	5304460999	A B C	Clamp, hose, OTK440
102	5304461000	A B C	Hose, pump, inlet
103	5304461001	A B C	Hose, duct to pump
104	5304461726	A B C	Bracket, thermostat
105	5304461002	A B C	Clamp, hose, 12.9 x 1.8
106	5304461003	A B C	Duct, connecting, (2)
107#	5304461727	A B C	Thermostat, 50
108	5304461004	A B C	Duct, connecting, delivery hose
109#	5304461728	A B C	Thermostat, 90
110#	5304461005	A B C	Motor, pump assembly
111	5304461006	A B C	Pad, motor vibration
112	5304460985	A B C	Bracket, motor support
116	5304461007	A B C	Support, manifold, lower
117	5304461008	A B C	O-ring, 38 x 2.4
118	5304461009	A B C	Tie-in, inner
119	5304461010	A B C	Axis, sprayarm, lower
120	5304461011	A B C	Nut, sprayarm, lower
121	5304461012	A B C	Sprayarm Assembly, lower
122	5304461013	A B C	Bracket, element, (2)
123#	5304461014	A B C	Element Assembly, heating
* #	5304461015	A B C	Harness, wiring, main

RACKS



FMB330R rack

RACKS

Model Index: A FMB330RG (FMB330RGS0)
 B FMB330RG (FMB330RGB0)
 C FMB330RG (FMB330RGC0)

POS. NO	PART NO.		DESCRIPTION
88	5304461016	A B C	Rack Assembly, upper
89	5304461017	A B C	Dispenser, feeding, upper
90	5304461018	A B C	Pipe, sprayarm, upper
91	5304461019	A B C	Ring Nut, sprayarm, upper
92	5304461020	A B C	Sprayarm, upper
93	5304461021	A B C	Block, sprayarm, upper
94	5304461022	A B C	Rack Assembly, lower
95	5304461023	A B C	Basket, silverware